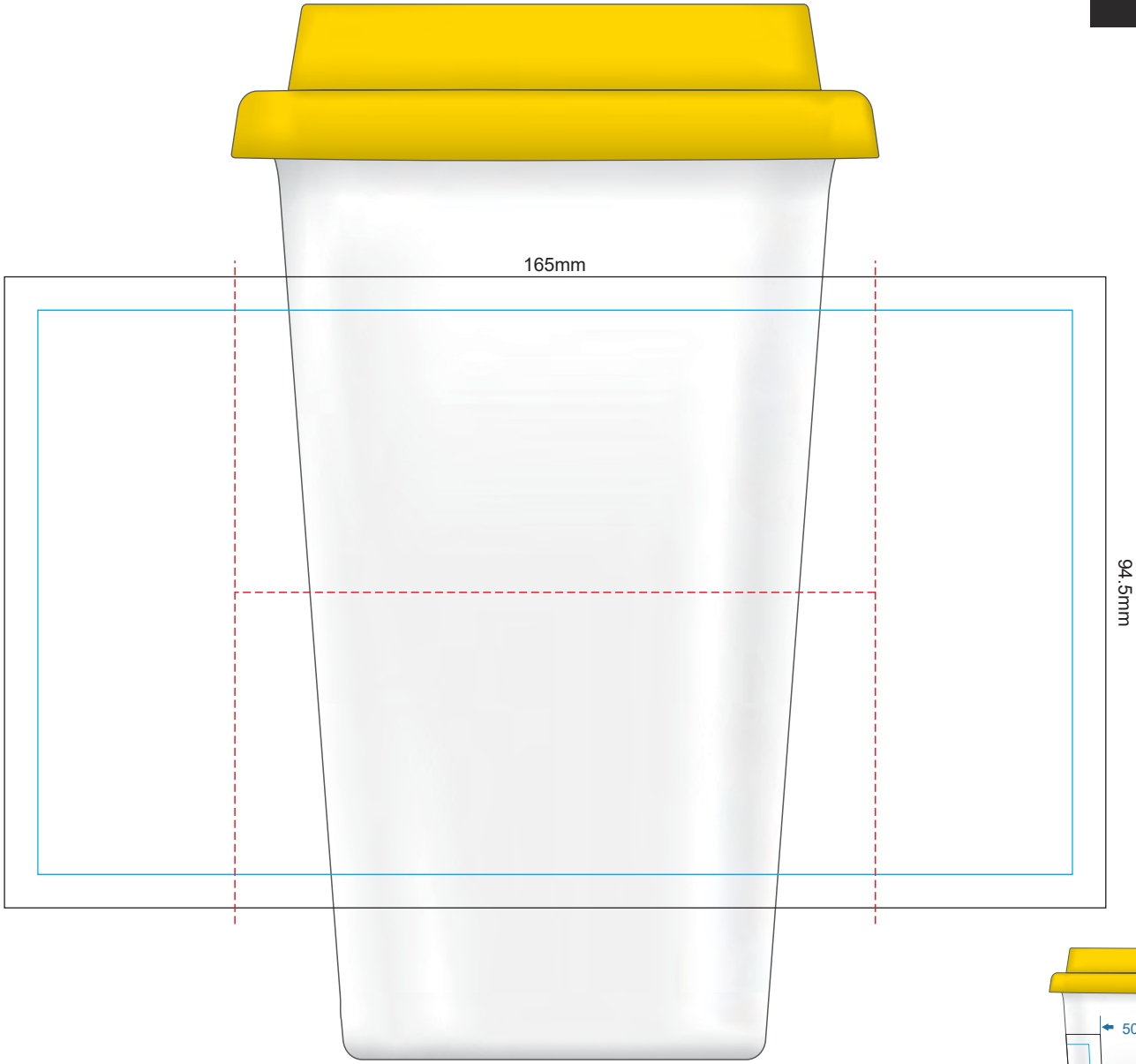


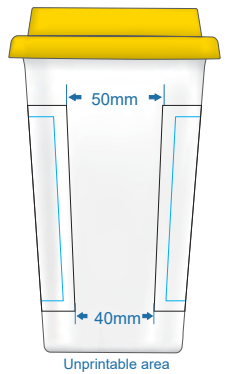


100% of Actual Size
Sublimation

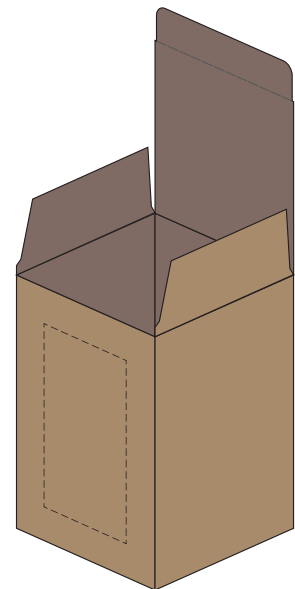
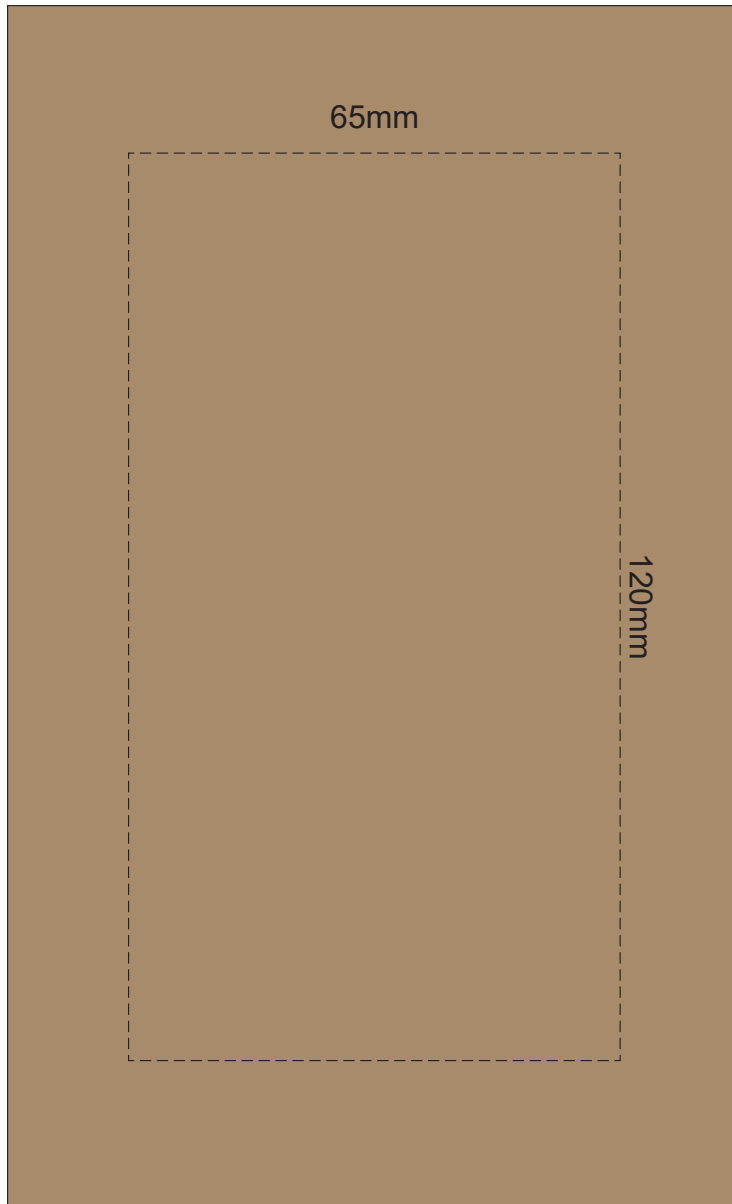


Red Line = Exact opposites of the product
(centre artwork to the red line)
Blue Line = SIGNIFICANT PRINT AREA
(Keep all critical images & text within this box)
Black Line = Print area

PLEASE NOTE: Objects at the top of your artwork will have a different curve than objects near the bottom.
Due to the nature of these mugs - circular images may become slightly oval when you art is curved at printing.



100% of Actual Size
Digital Packaging Print
FRONT



Artwork will be printed directly onto the product via CMYK printing (no white),
colours will not be vibrant due to white ink not being available for this process.