

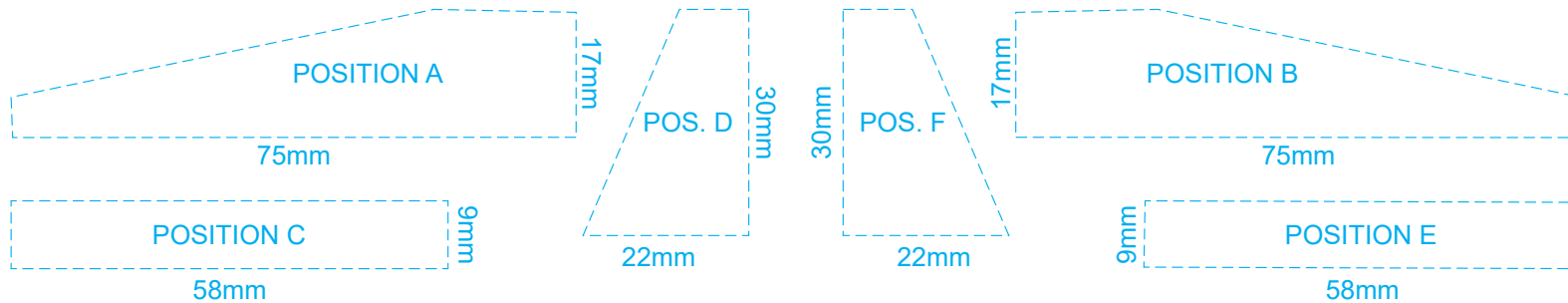
Up to a 2mm tolerance is expected for alignment of the printed artwork against the engraved lines. Slight inconsistencies are to be considered acceptable if the artwork is printed over an engraved line.

Blue Line = Safe area for Arwork

Customisable Colour Groups

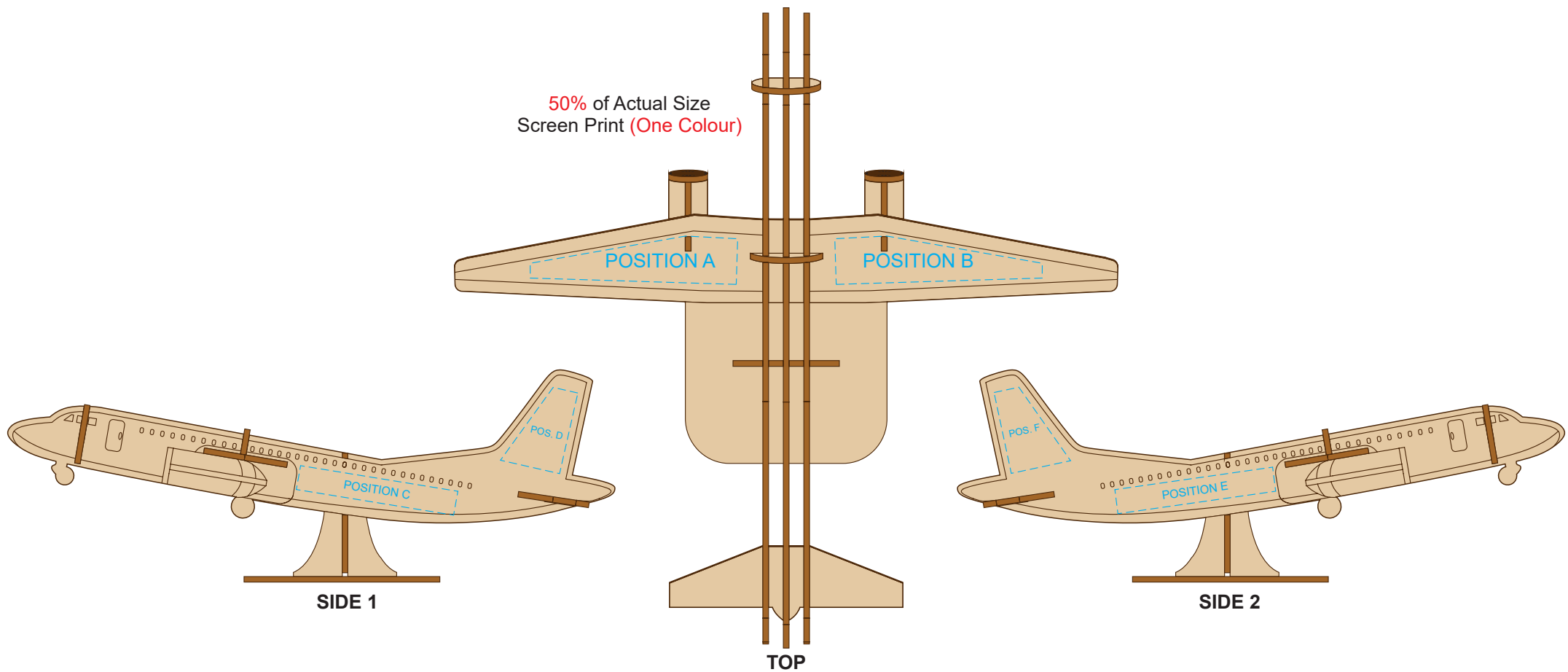


100% of Actual Artwork Print Area



### BRANDING SPECIFICATION - Jet Plane Wooden Model - 124039

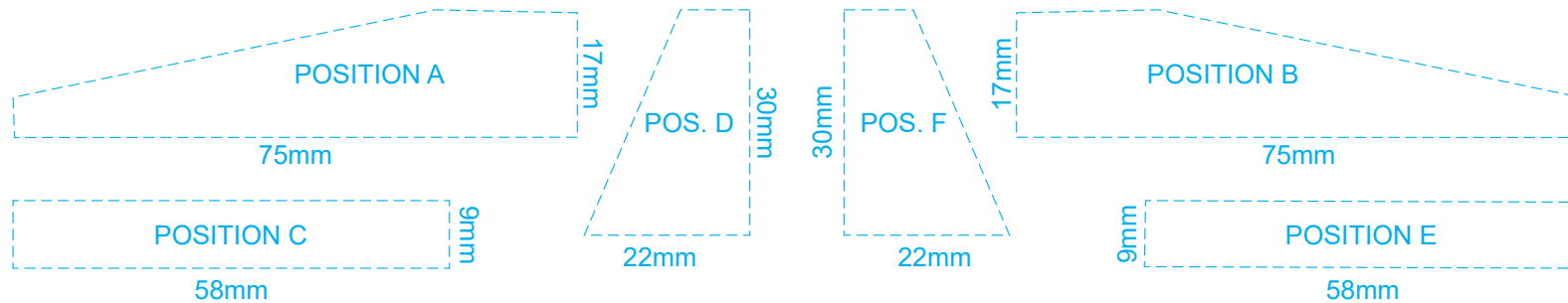
Each colour group can be customised to any single colour. Please provide CMYK / PMS values (close matched) for each colour group / or specify if solid colour fill is not required. The product is provided flat packed in a cardboard sleeve with assembly instructions.



Up to a 2mm tolerance is expected for alignment of the printed artwork against the engraved lines.  
Slight inconsistencies are to be considered acceptable if the artwork is printed over an engraved line.

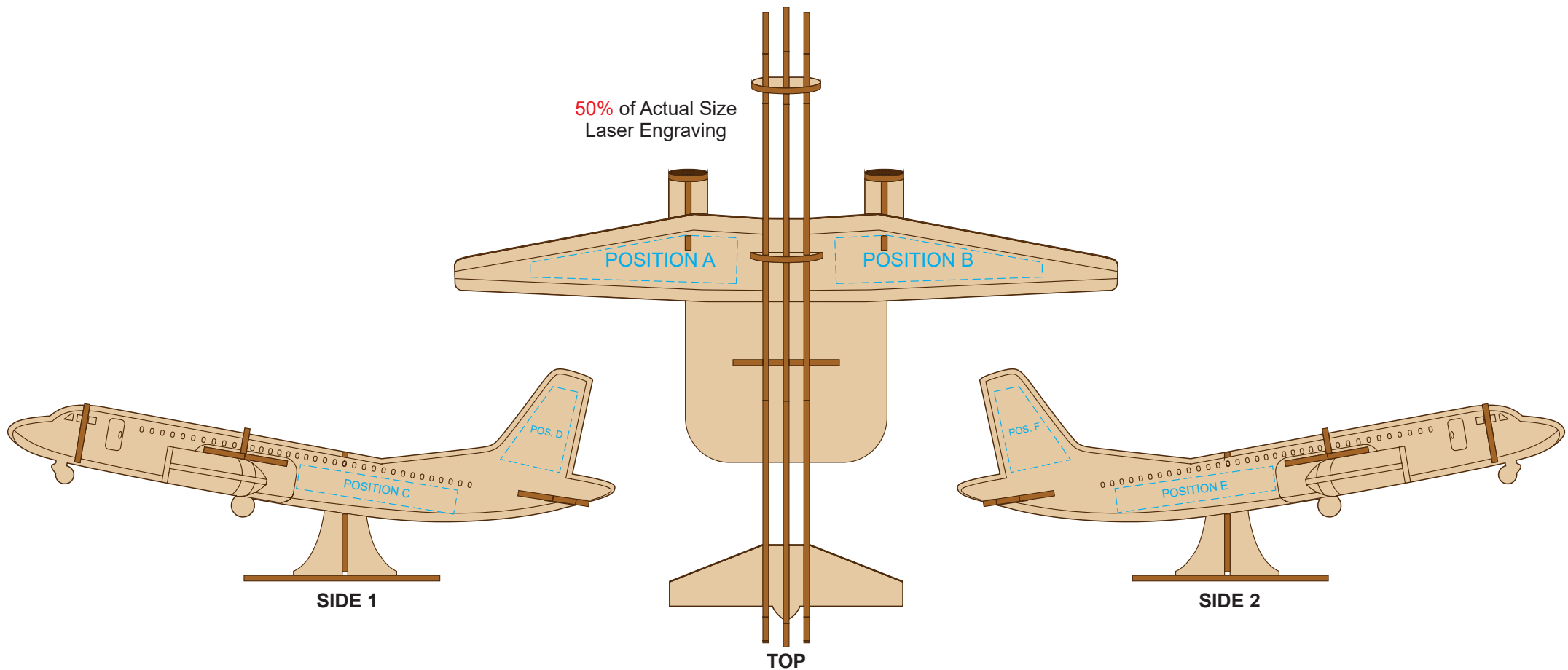
Blue Line = Safe area for Artwork

100% of Actual Artwork Print Area



### BRANDING SPECIFICATION - Jet Plane Wooden Model - 124039

This product is made from natural wood, therefore some slight colour variation are considered acceptable.  
The product is provided flat packed in a cardboard sleeve with assembly instructions.

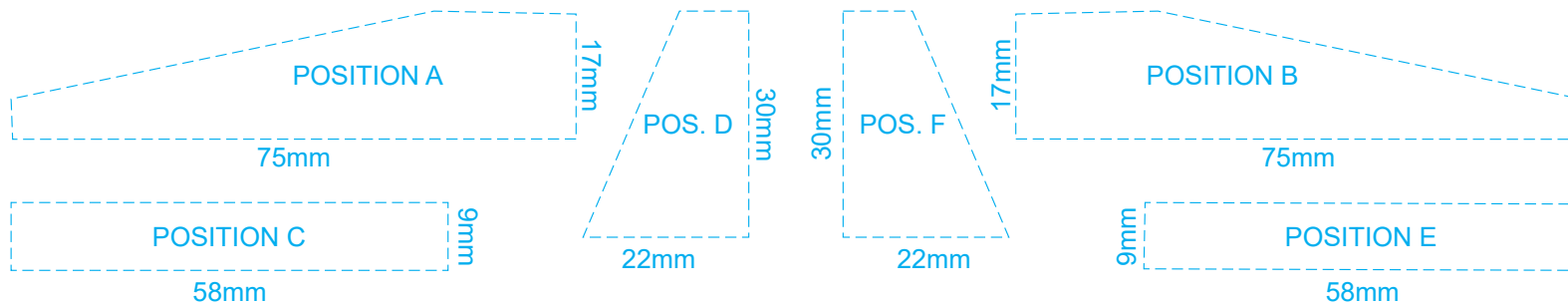


This product is a natural material, please allow for variances in grain pattern and engraving colour. Up to a 2mm tolerance is expected for alignment of the printed artwork against the engraved lines. Slight inconsistencies are to be considered acceptable if the artwork is printed over an engraved line.

Blue Line = Safe area for Arwork

 Laser engraves to a natural etch

100% of Actual Artwork Print Area



**BRANDING SPECIFICATION - Jet Plane Wooden Model - 124039**

This product is made from natural wood, therefore some slight colour variation are considered acceptable. The product is provided flat packed in a cardboard sleeve with assembly instructions.

70% of Actual Size  
Digital Packaging Print



Artwork will be printed directly onto the product via CMYK printing (no white)  
Colours will not be vibrant due to white ink not being available for this process.

**BRANDING SPECIFICATION** - Jet Plane Wooden Model - 124039

The pre-printed cardboard sleeve will come with assembly instructions at the back.