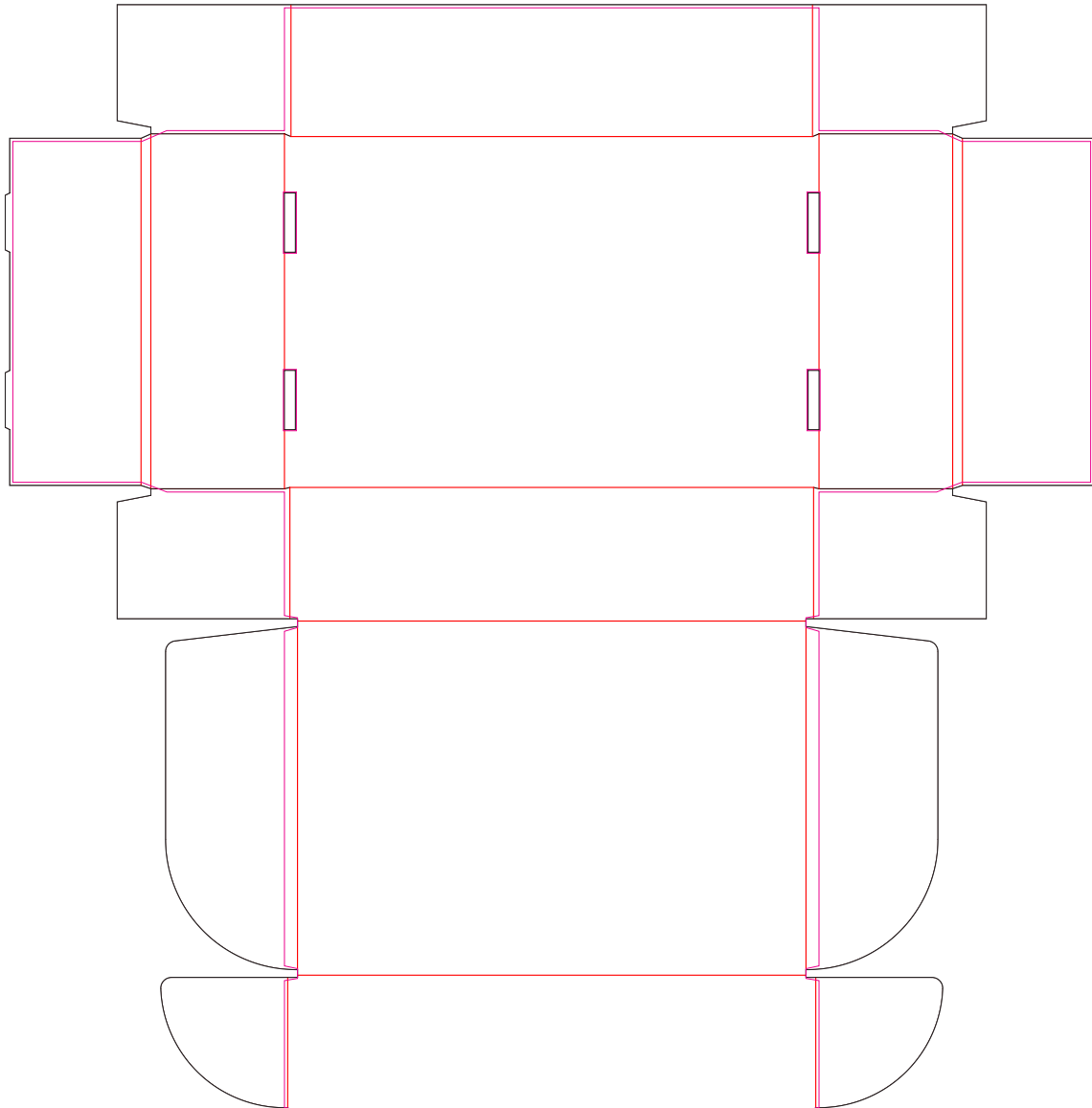


15% of Actual Size
Digital Packaging Print



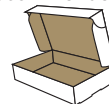
Artwork will be printed onto a natural corrugated substrate via CYMK printing (no white), some colour variation and corrugation lines should be considered acceptable. Changing the substrate of the box to a solid colour is not recommended.

SIDE 1 - OUTSIDE

Black Lines - Cut Marks or Edges

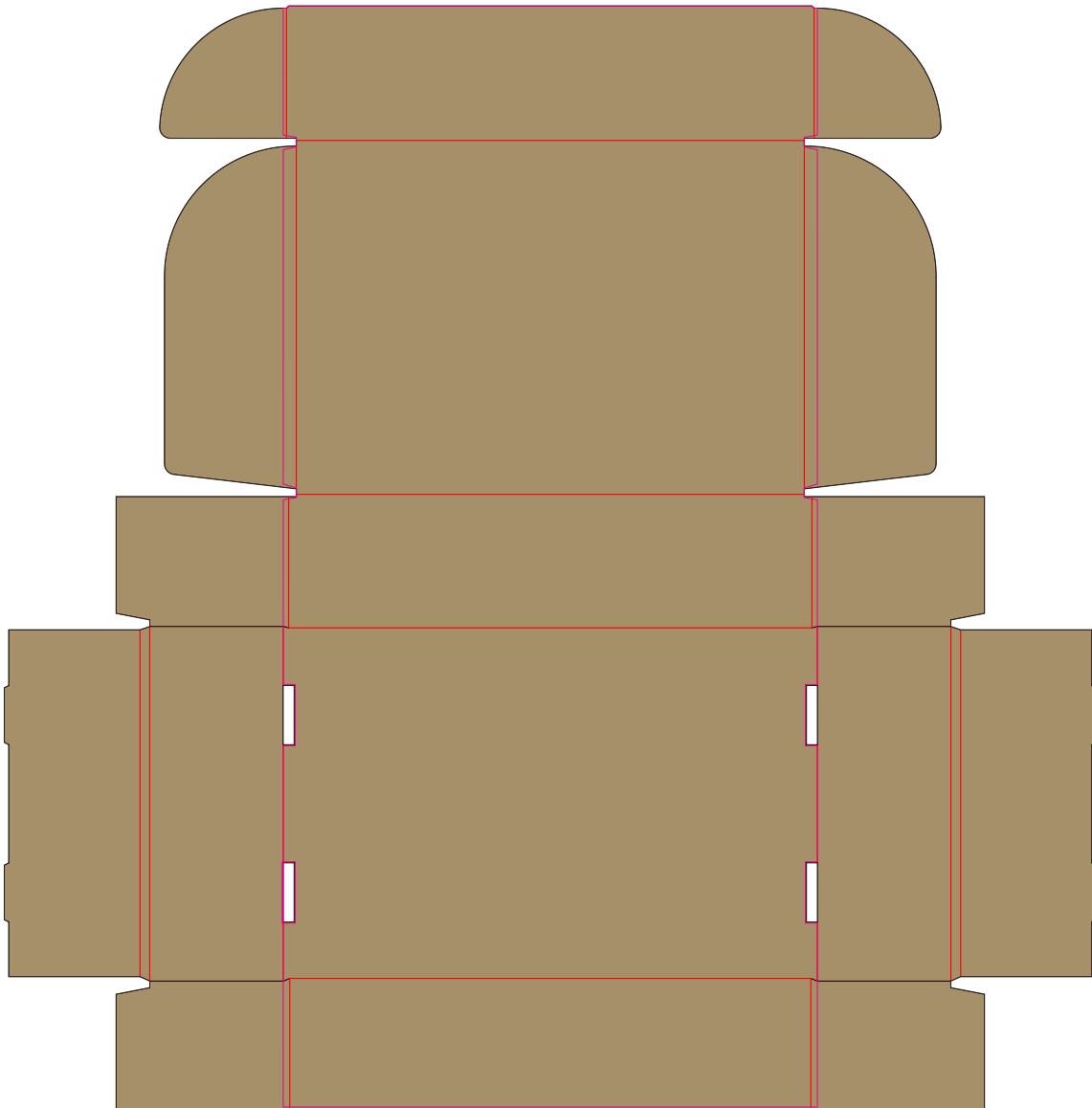
Pink Line = Bleed off to here

There will be no bleed on the leading edge





15% of Actual Size
Digital Packaging Print



Artwork will be printed onto a natural corrugated substrate via CMYK printing (no white), some colour variation and corrugation lines should be considered acceptable. Changing the substrate of the box to a solid colour is not recommended.

SIDE 2 - INSIDE

Black Lines - Cut Marks or Edges

Pink Line = Bleed off to here

There will be no bleed on the leading edge

